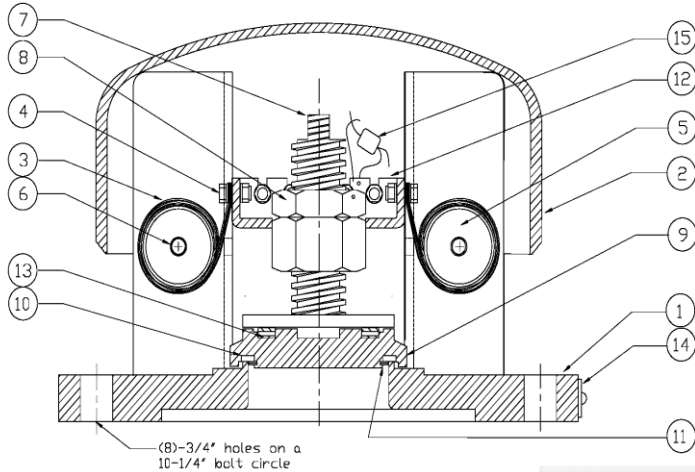


Pressure Relief Valve

JS165H & JS165HS



Valve Model	JS165H	JS165HS
Set Pressure (psig)	165	165
Flow Rate (SCFM-Air)	28,213 @182 psi	28,213 @182 psi
Orifice Diameter(in)	3.25	3.25
Flow Area (sq. in)	8.3	8.3
Weight (lbs)	70	70
Height (in)	8.19	8.19
Flange Thickness (in)	1.13	1.13
Number of Bolt Holes	8*	8*
Bolt Hole Size (in)	3/4*	3/4*
Bolt Circle (in)	10 1/4*	10 1/4*
Interface Options	Tongue and Groove, Raised or Flat Faced	Tongue and Groove, Raised or Flat Faced
Number of Springs	50	50
Max % of spring bolt shear	6	6

ITEM #	QTY.	DESCRIPTION	JS165H	JS165HS
			PRD-109022	PRD-109022
			MATERIAL	MATERIAL
1	1	Body Flange	Steel	Stainless
2	1	Cover	Steel Plated	Steel Plated
3	8	Spring Spool	Stainless	Stainless
4	16	Spring Bolt c/w nut	Stainless	Stainless
5	4	Spring Drum	Nylon	Nylon
6	4	Drum Bolt c/w nut	Steel Plated	Stainless
7	1	Adjustment Screw	Steel	Stainless
8	1	Jam Nut	Stainless	Stainless
9	1	Sealing Disc	Steel	Stainless
10	1	Seal	Varies	Varies
11	1	Seal Retainer	Stainless	Stainless
12	1	Spring Block	Steel Plated	Stainless
13	1	Needle Bearing Assembly	Hardened Steel	Hardened Steel
14	1	Nameplate	Aluminum	Aluminum
15	4	Wire Seal	Lead/SS	Lead/SS
16	4	Cover Bolt (not shown)	Steel Plated	Steel Plated
17	1	Debris Screen (not shown)	Stainless	Stainless

Carbon Composition – A516 Grade 70 (Electroless Nickel Plating available upon request) / Stainless composition – 316L.

Seal material composition based on specification

Other options available – see document 306 (Naming Convention)

Note: Mounting flange gaskets not supplied unless specified

*Available upon request.

© 2007 Kelso Technologies (USA) Inc. All Kelso Pressure Relief Valves are Patent Protected. Detailed designs are subject to change without notice. Certified detailed drawings are available upon request.